

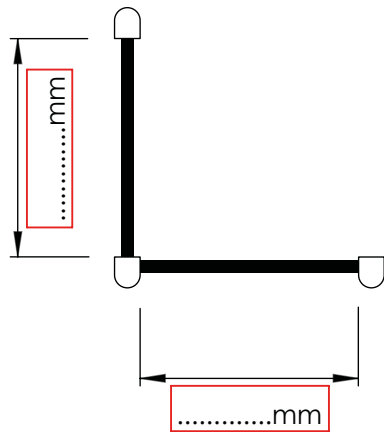
TOWER

PROTEZIONE COLONNA
COLUMN PROTECTION

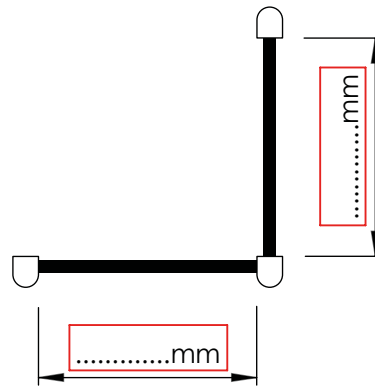
PLEASE CHECK HERE BELOW
OTHER OPTIONS FOR ASSEMBLY

TWO SIDES OPEN

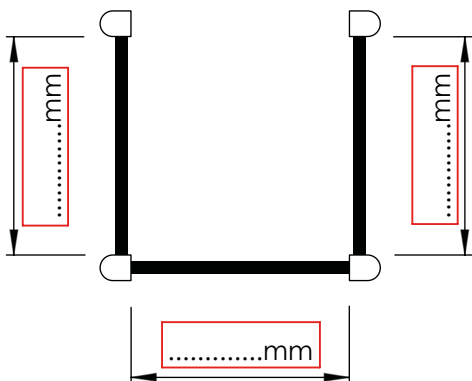
A



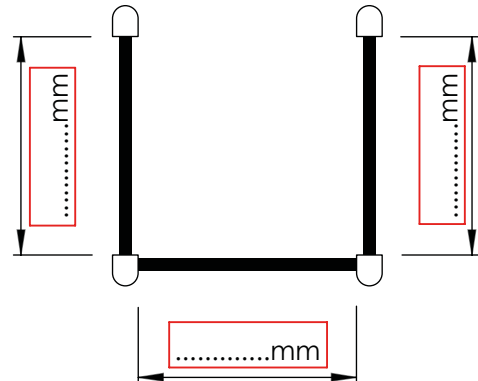
B



ONE SIDE OPEN



C

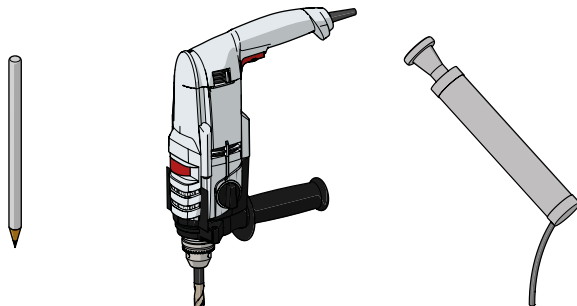


D

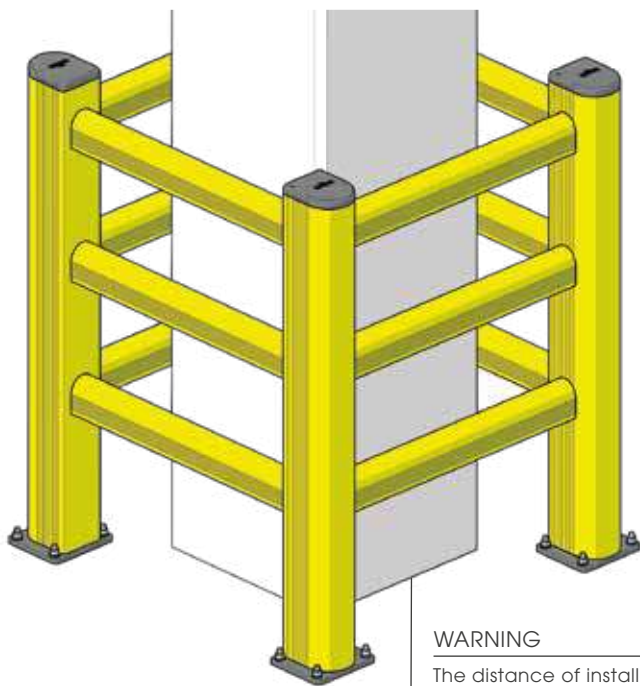
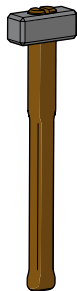
TOWER

ISTRUZIONI DI INSTALLAZIONE
ASSEMBLY INSTRUCTIONS

Ø12 mm



19

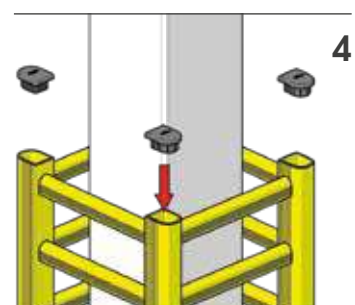
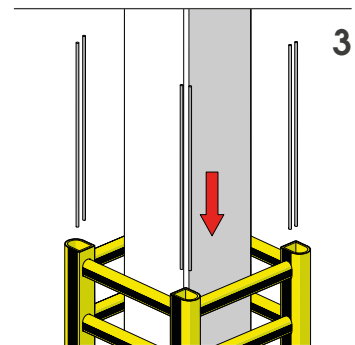
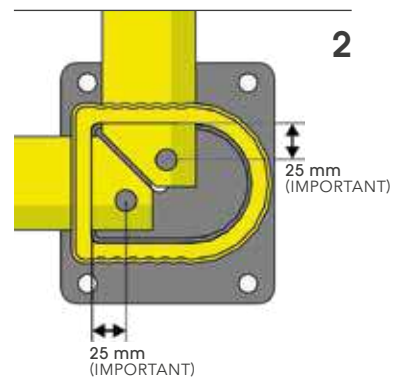
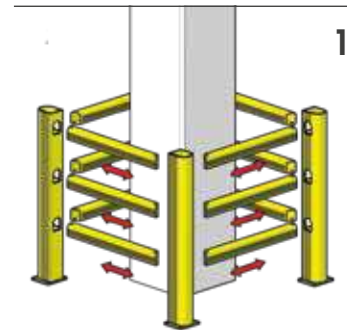


WARNING

The distance of installation depends on speed and weight of vehicle

COLUMN

MIN 100mm*



TOWER

ISTRUZIONI DI INSTALLAZIONE
ASSEMBLY INSTRUCTIONS

