

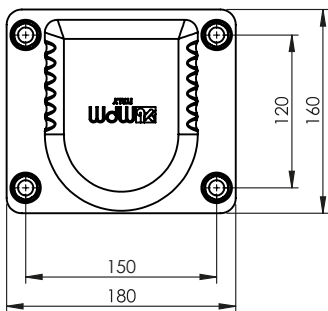
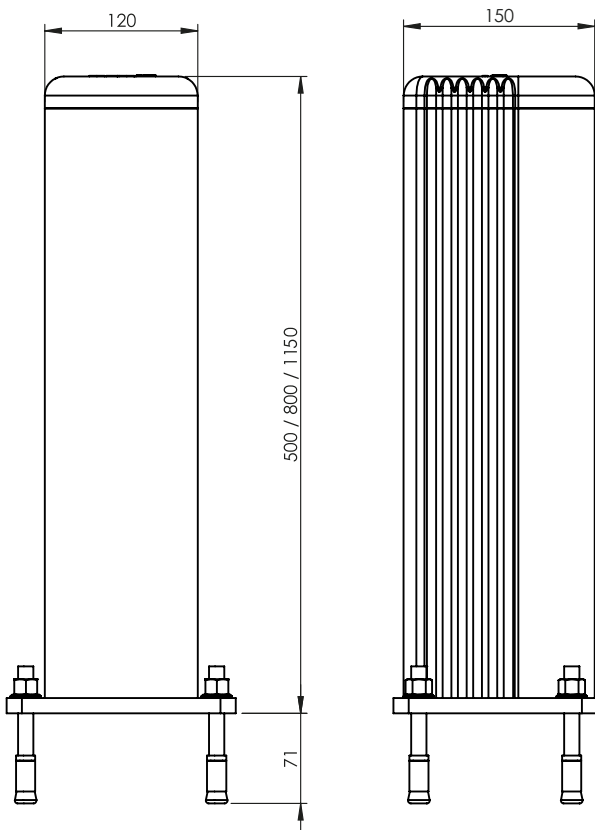
02. BOLLARD

GRD 150

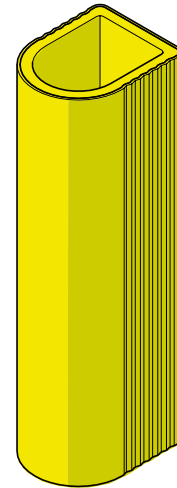
PALO PROTEZIONE
BOLLARD



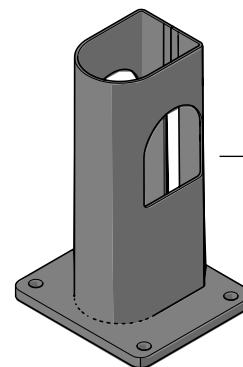
IMPACT TEST PASSED
according to
EN 15112:2009



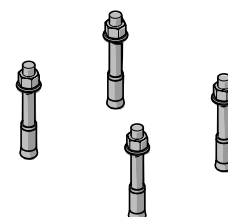
GRT 150



GR 150



FIX P 150



M12